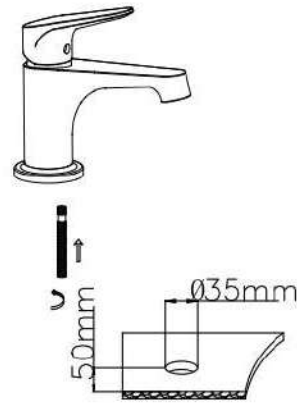
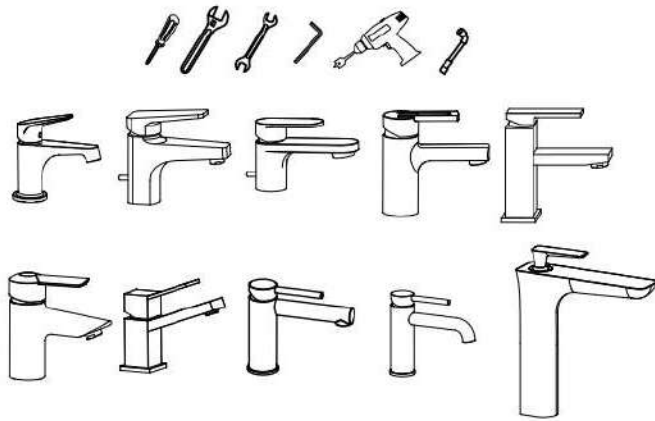
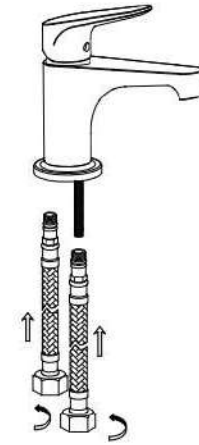


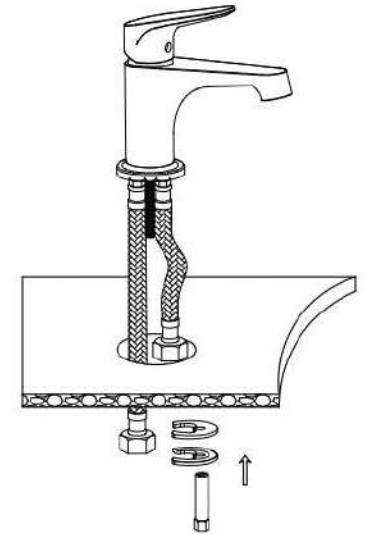
# Notice d'installation mitigeur lavabo



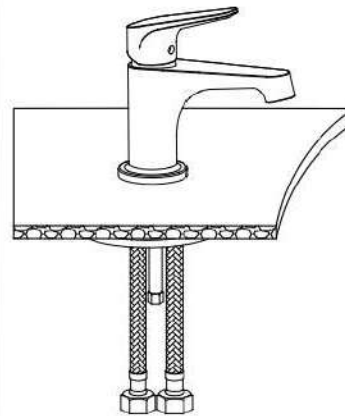
1. Open a 35mm diameter hole on the table, approximately 50mm from the table edge. Then screw the M8 screw into the M8 screw hole of the faucet.



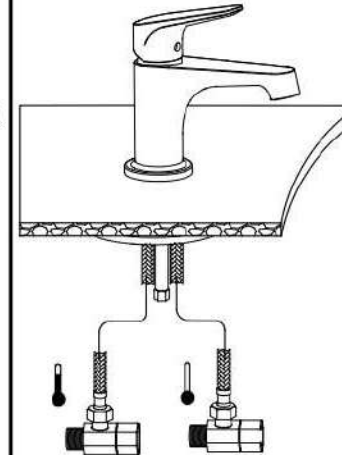
2. Install the two flexible hoses into the faucet. (If the product has been installed with hoses, do not remove them. Just screw down the screw and gasket, and then install the faucet through the hole of the table.)



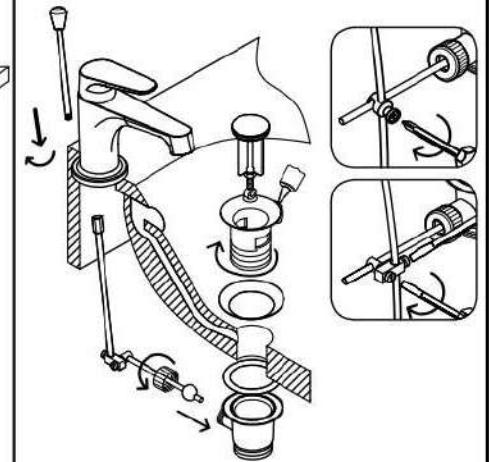
3. Install the two flexible hoses through the hole of the table.



4. Adjust the C stator below the hole, screw on the hexagon nut to keep the faucet has a correct direction. Then tighten the hexagon nut to fix the faucet.



5. Install the two flexible hoses to the hot and cold valves. And then open the hot and cold valves to check if there is leakage from the connector.



6. If the product has a pop-up waste, install it as above drawing.

## Installation and Notice

1. The internal structural parts of the faucet have

been professionally installed and tested at the factory. Please do not disassemble it yourself. That may affect the function and durability of the faucet.

2. Before installation of the mixer, please ensure the main valve is open, to flush the impurities such as steel wire in the water pipe, to prevent the mixer from being blocked and consequent negative impact on flow rate and function.

3. Please install as per the installation manual, to ensure the operation is correct. Do not assemble by force to prevent damages to the components of the mixer.

4. Please ensure the connection between the mixer and the hot & cold main is correct. When faced with user, the left side of the mixer shall be connected with hot main and the right side connected with the cold main.

5. After installation of the mixer, please check the tightness of each junction to ensure no leakage between the mixer and the water pipe connector. Reopen the main inlet control to flush the pipe for 1 min.

6. For further inquiries, please contact directly with the local dealers.

## Instructions

To remain the shineness of the mixer, please follow the below:

1. For normal use of the mixer, only water and soft cloth is needed to clean and dry it. It's better to remove all the remaining water on the tap everyday!

2. If there is smudginess on the mixer that is hard to remove, soft liquid cleanser or neutral glass lotion shall be applied for cleaning. After cleaning, please use water to rinse the mixer and soft cloth to dry it.

3. Do not use those liquid cleanser that might cause abrasion, sandcloth or hard tools to rub the mixer.

4. Do not use any acid or crude liquid cleanser, soap or abrasive material for increasing the shineness, to clean the mixer.

## Cautions

There are different kinds of mixers that shall be opened by various ways, such as open and close by single handle, swiveted by single handle or by dual handles; And different kinds of divertors shall be opened either by push, or by pull, or by swivel, or by swivel movement of the spout. Fixed positions are set for different functions. Do not pull and push by force to avoid damages to the functions of the mixer.